

VMEK™

SORTING TECHNOLOGY

Sorting, Counting, Data Output... on all seeds



Note: Pictured with optional stand

Metrix

Analytic **Color Sorter**





Metrix

Metrix Analytic Color Sorter

The Metrix Analytic Color Sorter is a full color optical sorter and product analyzer in one machine. In addition to dividing the product into two streams using high speed ejectors, the Metrix calculates and logs detailed spatial and color information on each seed.

The heart of the Metrix is the technologically advanced viewer. It uses Patent-Pending "On-Axis Viewing", which enables exact imaging from both sides of the product with no lost features. The low-profile design allows for a compact machine footprint and efficient product ejections. In addition, the viewer uses the latest in LED technology for superior image quality and repeatability. The lighting is designed to maximize product features and minimize glare.

MTX-160-33 Key Features

- Sorts product by color and/or shape
- Outputs color and spacial data on each part
- 15" color screen with easy to use operator interface
- Stores data for up to 1 million parts
- Precise ejection with minimal error
- Counts at a high rate with with high accuracy
- Compact footprint with low integration cost
- Flexible stand configurations
- Perfect for batch operation or continuous processing

Features



- 1 Hopper
- 2 Feeder
- 3 Chute
- 4 Controller
- 5 Touch screen
- 6 Divider
- 7 Stand Options

Dimensions

- 18.63 x 35.98 x 41.70 in
- 473.1 x 913.8 x 1059.2 mm

Power Requirements

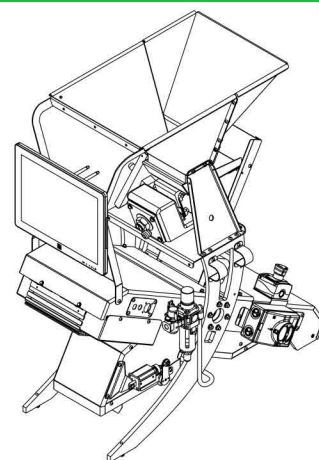
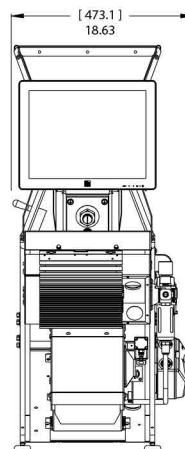
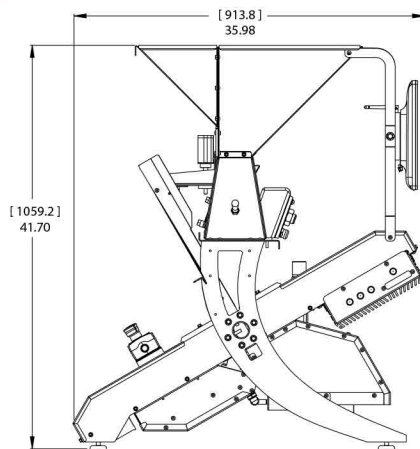
- 115 / 230VAC, 50/60Hz

Air Requirements

- 1 - 10 CFM @ 80 PSI

Operating Temperature

- 113F / 45°C (max)



VMek Sorting Technology
2087 Dabney Road
Richmond, VA 23230

Office: (804) 349-9001
Email: info@vmekgroup.com
Web: www.vmekgroup.com